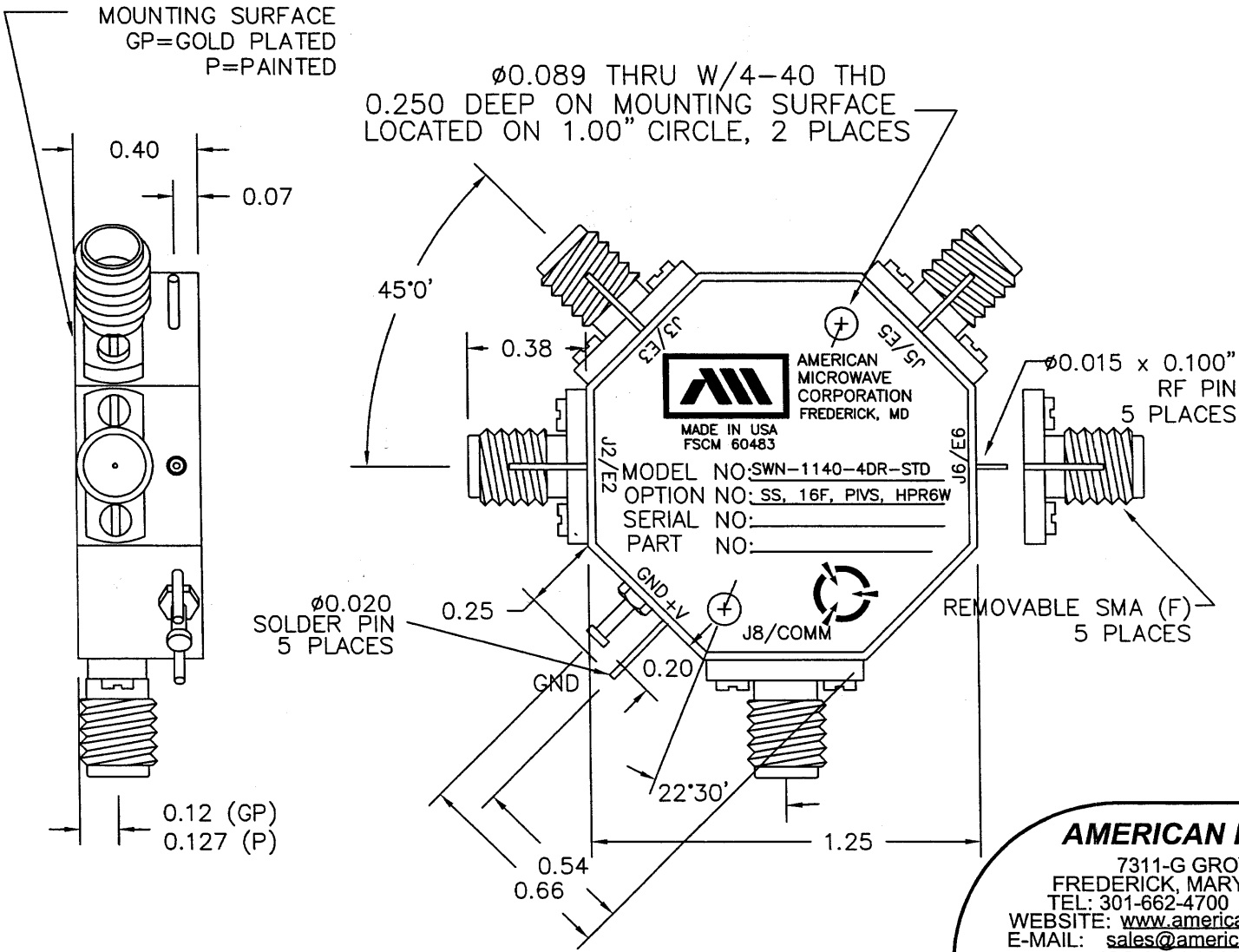


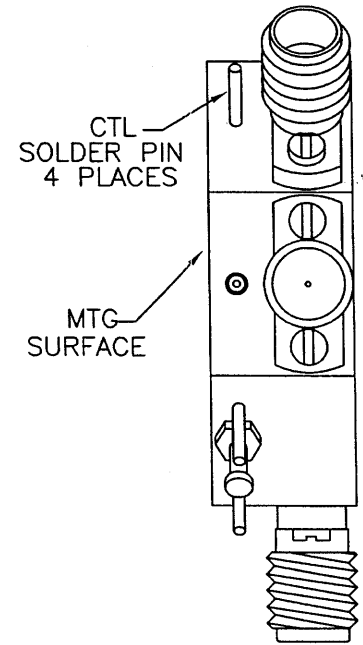
**DESCRIPTION**

AMC MODEL SWN-1140-4DR-STANDARD OPTION SS, 16F, PIVS, HPR6W IS A SINGLE POLE FOUR THROW, REFLECTIVE SOLID STATE SWITCH MODULE DESIGNED FOR HIGH POWER WITH SINGLE SUPPLY AND INTEGRAL TTL DRIVER FOR OPERATION AT 16 GHz FIXED FREQUENCY.

REVISIONS				
ZONE	REV.	DESCRIPTION	DATE	APPROVED
	-	ORIGINAL RELEASE JOB# 408208PE	10/21/04	



**MECHANICAL OUTLINE**



AMERICAN MICROWAVE CORPORATION  
 MADE IN USA  
 FSCM 60483  
 MODEL NO: SWN-1140-4DR-STD  
 OPTION NO: SS, 16F, PIVS, HPR6W  
 SERIAL NO: \_\_\_\_\_  
 PART NO: \_\_\_\_\_

**AMERICAN MICROWAVE CORPORATION**  
 7311-G GROVE ROAD  
 FREDERICK, MARYLAND 21704 USA  
 TEL: 301-662-4700 FAX: 301-662-4938  
 WEBSITE: [www.americanmicrowavecorp.com](http://www.americanmicrowavecorp.com)  
 E-MAIL: [sales@americanmicrowavecorp.com](mailto:sales@americanmicrowavecorp.com)  
 ISO 9001:2000 CERTIFIED



ALL DIMENSIONS ARE IN INCHES  
 TOLERANCES:  
 X.XX ±0.020  
 X.XXX ±0.010

APPROVALS		DATE	TITLE			
DRAWN	<i>EJB</i>	10/21/04	MECHANICAL OUTLINE SWN-1140-4DR-STANDARD OPTION: SS, 16F, PIVS, HPR6W 16 GHz FIXED FREQUENCY SWITCHING MODULE			
CHECKED	<i>PK</i>	12/16/04	SIZE	FSCM NO.	DWG NO.	REV.
ISSUED			A	60483	100-7183	-
			SCALE	N:S	SHEET	2 OF 3

# DESCRIPTION

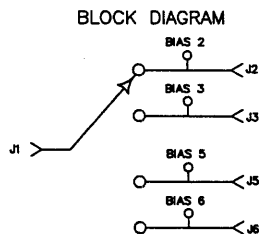
AMC MODEL SWN-1140-4DR-STANDARD OPTION SS, 16F, PIVS, HPR6W IS A SINGLE POLE FOUR THROW, REFLECTIVE SOLID STATE SWITCH MODULE DESIGNED FOR HIGH POWER WITH SINGLE SUPPLY AND INTEGRAL TTL DRIVER FOR OPERATION AT 16 GHz FIXED FREQUENCY.

# SPECIFICATIONS

- FREQUENCY RANGE: ..... 16 GHz
- INSERTION LOSS: ..... 1.5 dB TYPICAL, 2.0 dB MAXIMUM
- ISOLATION: ..... 35 dB MINIMUM
- VSWR: ..... 2.0:1
- SPEED: ..... RISE: 10 ns TYPICAL, 15 ns MAX  
FALL: 10 ns TYPICAL, 15 ns MAX  
DELAY ON: 75 ns TYPICAL, 100 ns MAX  
DELAY OFF: 75 ns TYPICAL, 100 ns MAX
- POWER INPUT: ..... (CW)+20 dBm (STANDARD),  
+10 dBm (HIGH SPEED)
- CONTROL: ..... TTL LOGIC "0"=ON, "1"=OFF
- POWER SUPPLY: ..... +10 V SINGLE SUPPLY

# OPTIONS

- SS ..... SINGLE SUPPLY OF +10V
- 16F ..... OPTIMIZED FOR 16 GHz
- PIVS ..... SPECIAL FOR CUSTOMER
- HPR6W ..... HIGH POWER 6 WATTS



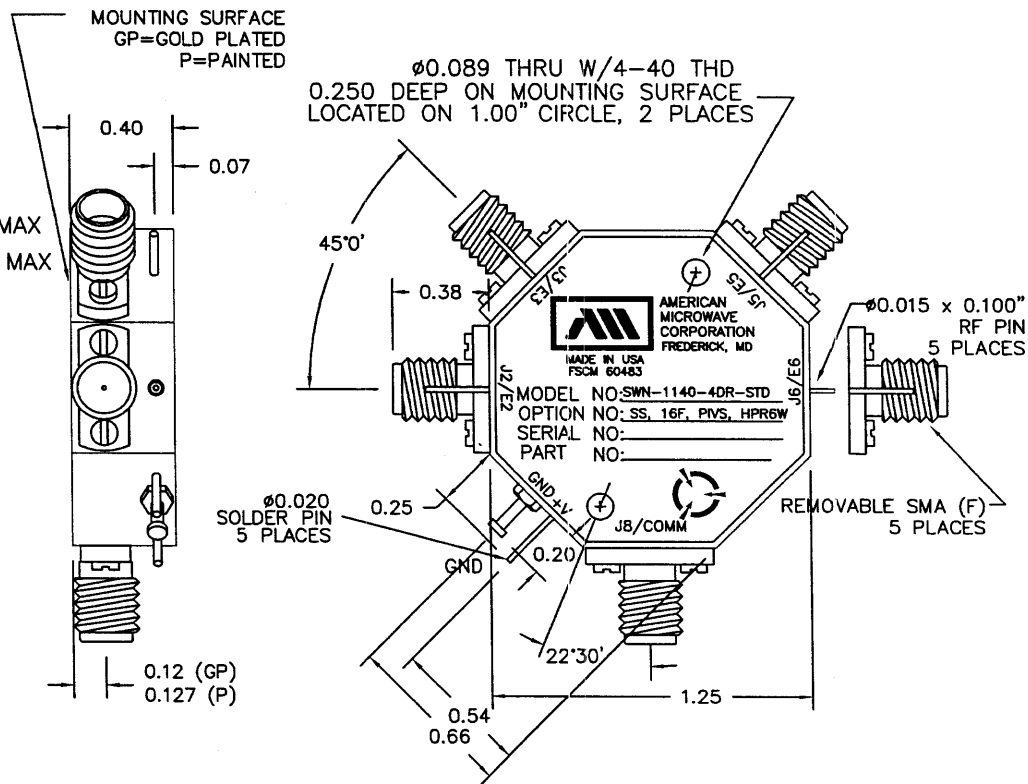
# ENVIRONMENTAL RATINGS

- **TEMPERATURE:** ..... -40°C TO +85°C (OPERATING)  
-65°C TO +125°C (STORAGE)
- **HUMIDITY:** ..... MIL-STD-202F, METHOD 103B COND. B
- **SHOCK:** ..... MIL-STD-202F, METHOD 213B COND. B
- **VIBRATION:** ..... MIL-STD-202F, METHOD 204D COND. B
- **ALTITUDE:** ..... MIL-STD-202F, METHOD 105C COND. B
- **TEMPERATURE CYCLE:** ..... MIL-STD-202F, METHOD 107D COND. A

NOTE: SPECIFICATIONS WILL VARY OVER OPERATING TEMPERATURE  
NOTE: THE ABOVE SPECIFICATIONS ARE SUBJECT TO CHANGE OR REVISION

ALL DIMENSIONS ARE IN INCHES  
TOLERANCES:  
X.XX ±0.020  
X.XXX ±0.010

REVISIONS				
ZONE	REV.	DESCRIPTION	DATE	APPROVED
	-	ORIGINAL RELEASE JOB# 408204PE	10/21/04	ESC



## AMERICAN MICROWAVE CORPORATION

7311-G GROVE ROAD  
FREDERICK, MARYLAND 21704 USA  
TEL: 301-662-4700 FAX: 301-662-4938  
WEBSITE: [www.americanmicrowavecorp.com](http://www.americanmicrowavecorp.com)  
E-MAIL: [sales@americanmicrowavecorp.com](mailto:sales@americanmicrowavecorp.com)  
ISO 9001:2000 CERTIFIED



APPROVALS		DATE	TITLE		
DRAWN <i>EGE</i>		10/21/04	PRODUCT FEATURE SWN-1140-4DR-STANDARD OPTION: SS, 16F, PIVS, HPR6W 16 GHz FIXED FREQUENCY SWITCHING MODULE		
CHECKED <i>LA</i>		11/16/04	SIZE A	FSCM NO. 60483	DWG NO. 100-7183
ISSUED			SCALE N:S		SHEET 1 OF 3